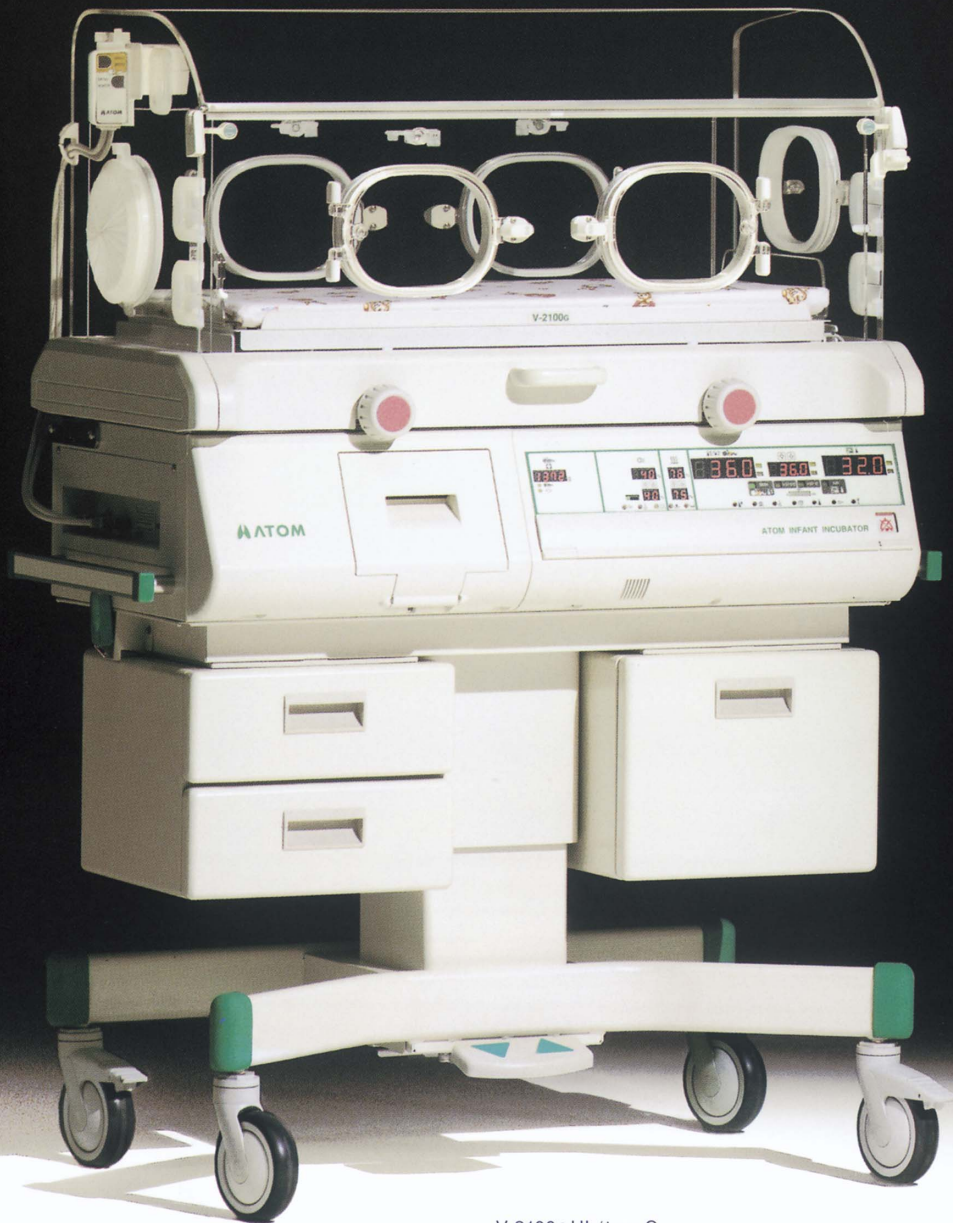


V-2100G

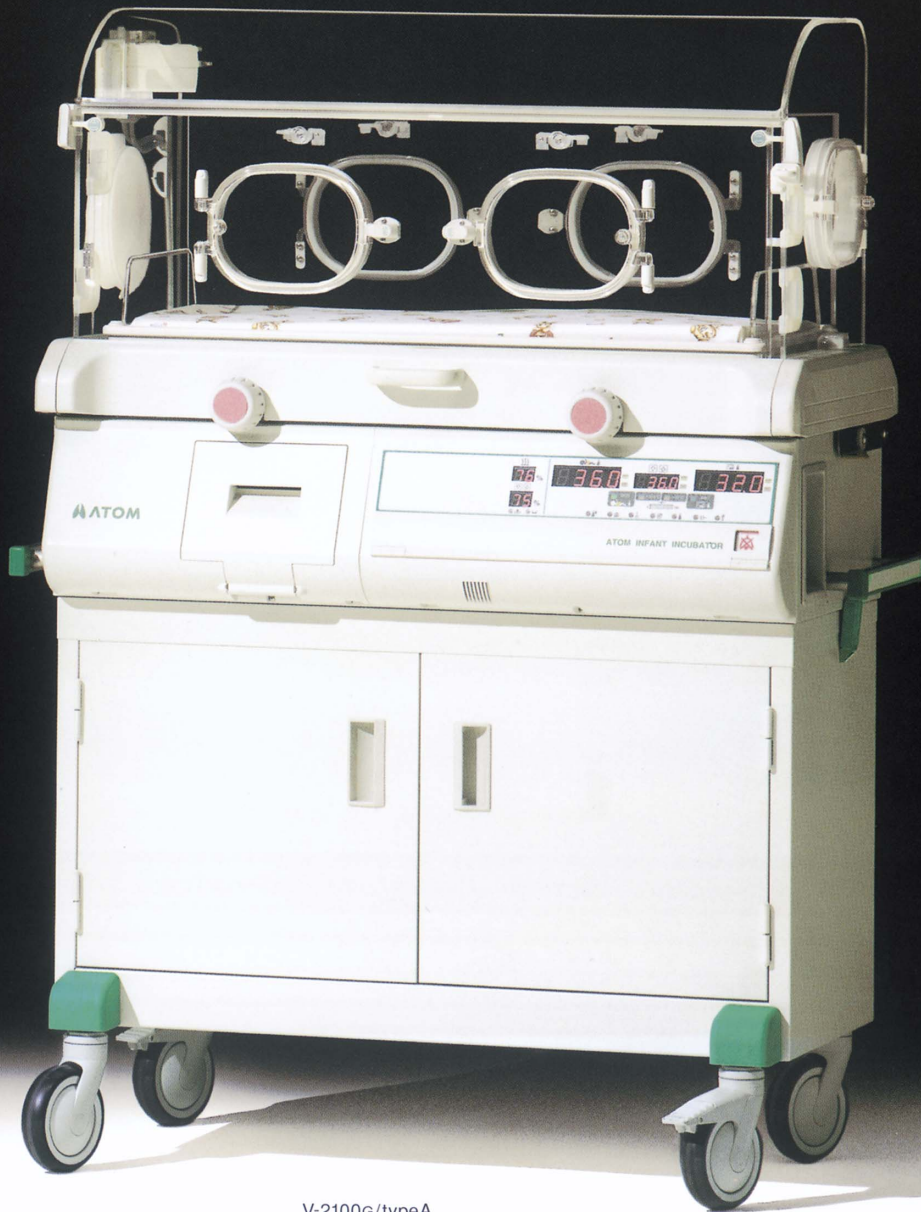
Atom Infant Incubator

Advanced Infant Incubator

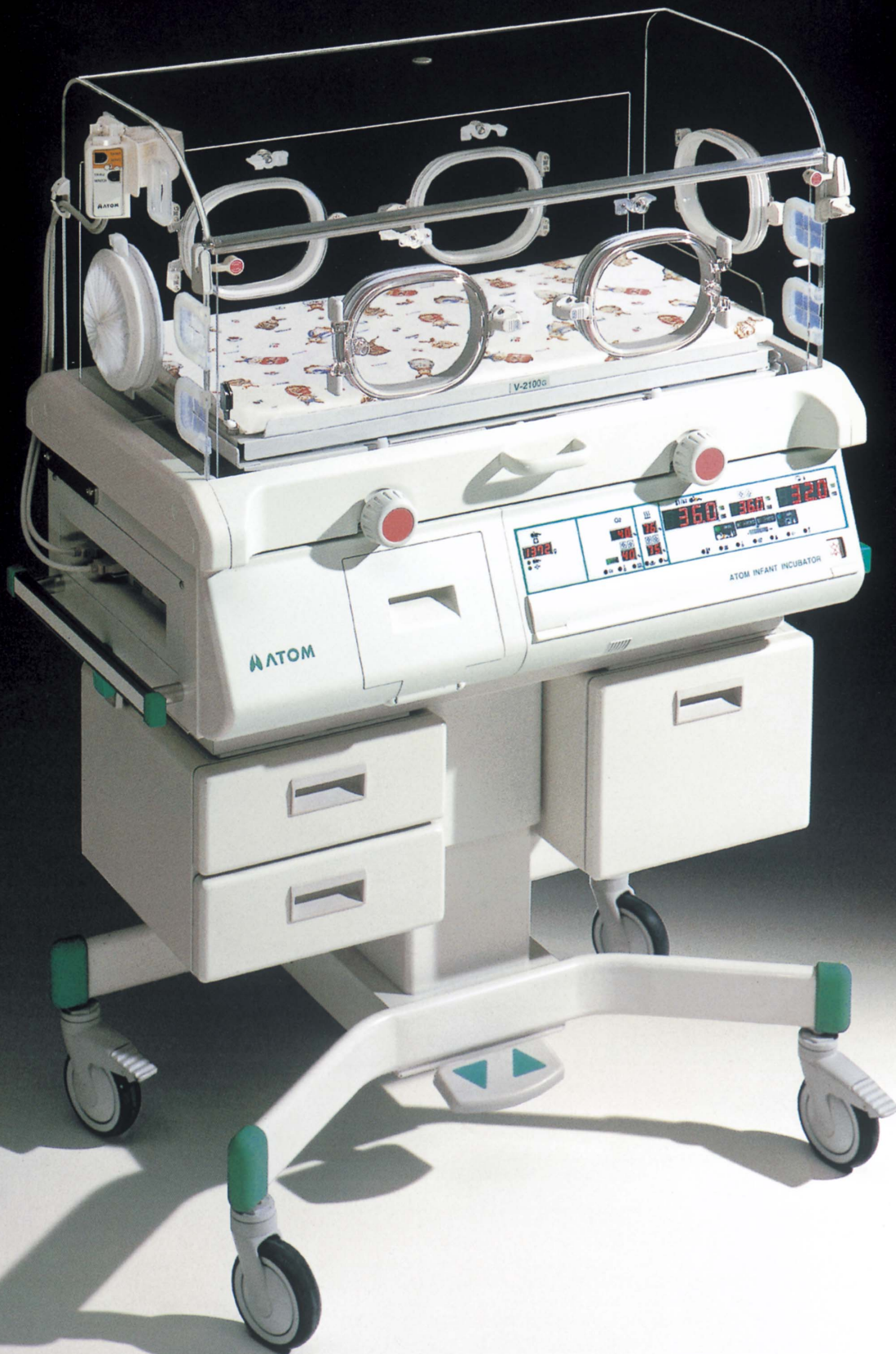


V-2100GHL/typeC
(The drawers are optional.)

V-2100G



V-2100G/typeA



► Photo: V-2100GHL / type C (The drawers are optional.)

Advanced features and devices to support intensive care

A newly styled continuously curved rounded hood for easy observation

Unlike a sloping hood composed of flat surfaces and including elbow-shaped bends, the gently curving hood allows you to observe the infant inside from any angle, because it is free of any point that would make the interior look distorted due to a lens effect.

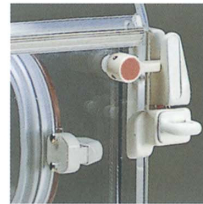
The air circulation system to reduce the infant's heat loss

The air circulation system allows warm air to continuously flow between the inner wall and the outer wall on the front side and the rear side of the hood. It creates an even and uniform distribution of the incubator air temperature as well as minimizes the infant's radiant heat loss by warming the inner walls of the hood. It also minimizes the infant's convective heat loss by keeping the air circulation flow at a low rate. Even when the front admittance panel is open, the incubator air temperature is prevented from dropping by the warm air flowing up from below the front admittance panel and thus shutting out the ambient air.

A large mattress platform with a smooth continuous tilt

The mattress platform can be tilted smoothly to a desired angle by operating its continuously tilting mechanism. The tube holder and other options can be attached to the corners of the mattress platform. (type A and type B)

A double-lock mechanism for the improved safety of the front admittance panel



The whole front panel opens fully for procedures. The wide front admittance panel enables you to place and remove the infant or an oxygen head box with ease. In addition to the locking mechanism operated by a knob for the purpose, a front admittance panel stopper is provided for automatically locking the front admittance panel when closed.

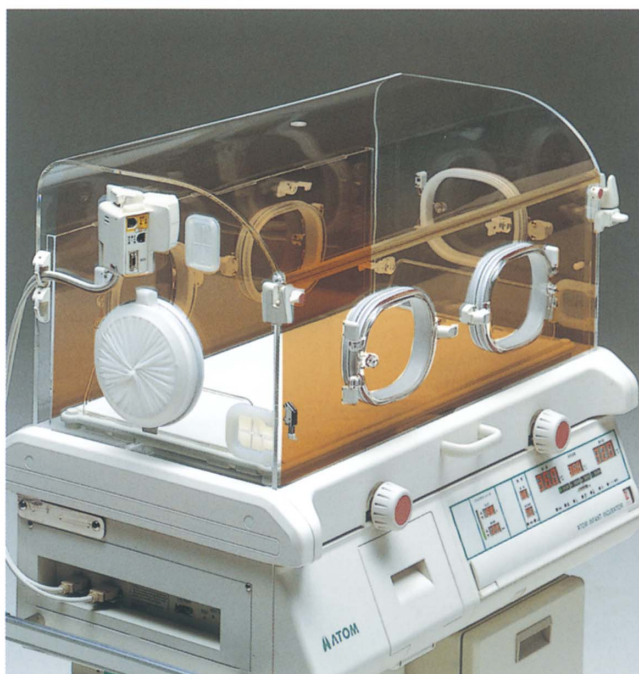
An X-ray cassette tray as a standard feature

The X-ray cassette tray is inserted in the mattress platform for saving space. X-ray photos can be taken without moving the infant.

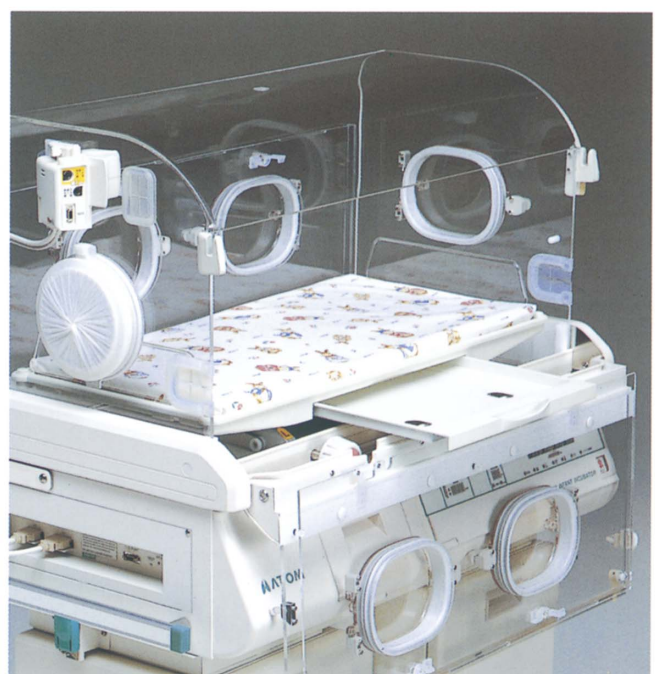
A HL (HiLo) stand for height adjustment

The height of the mattress surface of the incubator can be adjusted to the correct level for treatment in a range of 89.5-109.5cm.

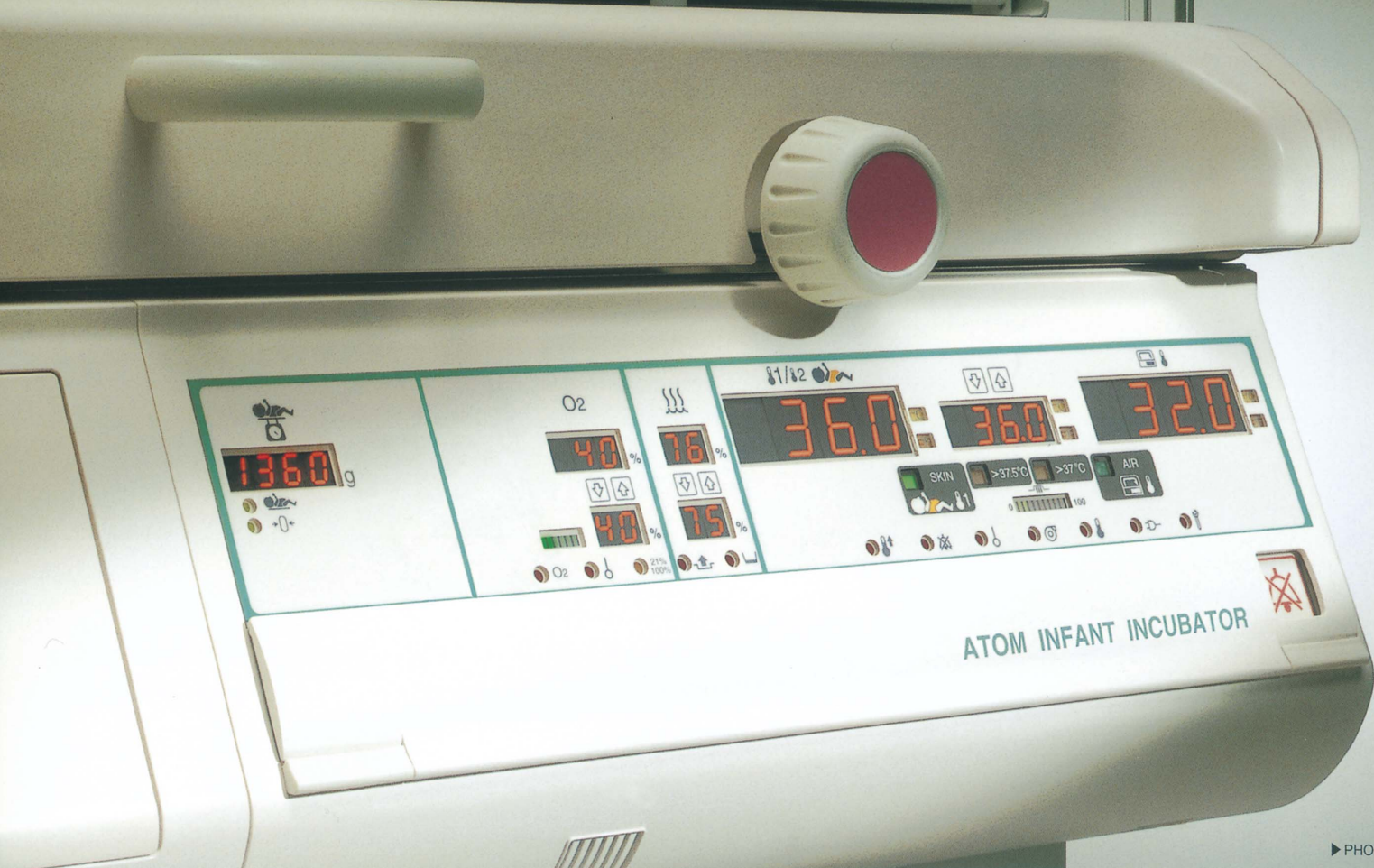
*A cabinet type is also available.



Air circulation(image)



X-ray cassette tray



► PHOTO: type C

The control system that gently fosters a small life

Precise thermal control to maintain an optimal environment for the infant

Two temperature control modes are available: servo control and manual control. An override function, which enables a higher temperature setting (incubator air temperature and skin temperature), is also provided.

Dual-safety system

The safety system is based on a double microcomputer which alternately monitors the incubator for correct control.

Dual-channel skin temperature display

The infant's skin temperature at two different sites can be monitored by switching the channels.

* The skin temperature 2 is shown on the skin temperature display only as long as the SKIN 2 switch is pressed.

Servo-humidity control

The humidity controller automatically controls humidification to a preselected setting to precisely maintain the relative humidity in the incubator at a constant level.

An oxygen controller for smooth flow control

type B type C

An oxygen flow rate is smoothly controlled to achieve a preselected oxygen concentration through continuous valve control. The oxygen concentration is controlled finely and precisely with reduced operating noise.

Infant's weight monitoring to detect the changes in weight

type C

The infant's weight can be monitored with the infant lying on the mattress platform.

A sensor module provided with a large alarm lamp

Temperature, humidity and oxygen sensors are incorporated compactly in the sensor module. Connectors for two skin temperature probes are provided on the outside of the hood for increased moisture-proof and reliability. The alarm lamp on the module is so easy to recognize that it can be checked at a distance.

For a quiet and clean environment inside the incubator

Reduced sound stress to the infant

The operating noise of the incubator has been reduced to achieve one of the quietest incubators in the world. In addition, the noise associated with the opening or closing of a snap-open access port has also been reduced by the improved sealing material and the newly introduced soft cushion.

New electrostatic filter system

The electrostatic filter is much more efficient in collecting and retaining dust than conventional air filters. Through the inspection window you can check from outside the filter condition.

A humidification unit for easy cleaning control

The humidity chamber is a cassette type, so that it can be drawn out easily at the front side of the incubator. Designed with sanitation in mind, all the parts of the humidification unit can be cleaned and disinfected, and the water in the humidification tank can be removed completely. The newly introduced cartridge tank makes water supply easier.

An easy-to-clean conditioning chamber made of stainless steel

The stainless steel conditioning chamber is constructed so that every corner can be easily cleaned and disinfected.



Sensor module



Humidity chamber

Product Lineup

Atom Infant Incubator V-2100G Series — a list of main features and functions



Type C
(The drawers are optional.)

Model V-2100G HL

With a HL (HiLo) stand for convenient height adjustment for individual procedures

Type	A	B	C
Humidity controller	●	●	●
Oxygen controller		●	●
Weight monitor			●

* A built-in pulse oximeter is optionally available.



Type C

Model V-2100G

With a cabinet featuring a large storage space

Type	A	B	C
Humidity controller	●	●	●
Oxygen controller		●	●
Weight monitor			●

* A built-in pulse oximeter is optionally available.

Dual Access Port



Dual Access Port is optionally available.

Specifications

Power requirements	Main body: Customer-specified (Power consumption: 500VA/Maximum) HL stand: Customer-specified (Power consumption: 630VA/When actuated)
Classification	Class I, Type BF
Weight	V-2100G HL: Approx. 88kg (Main body: Approx. 54.5kg, HL stand: 33.5kg) V-2100G: Approx. 88.5kg (Main body: Approx. 54.5kg, Cabinet: 34kg)
Standard accessories	Skin temperature probe 1 Access port cover 2 F-6E electrostatic filter 1 Cap (rubber plug) 1 Dust cover 1
typeB typeC	Oxygen sensor 2

Temperature control

Control mode	Servo control (Manual control also available)
Temperature setting range	Skin temperature: 35.0-37.5°C / 95.0-99.5°F (Override mode: 37.6-39.0°C / 99.6-102.2°F) Incubator air temperature: 23.0-37.0°C / 73.4-98.6°F (Override mode: 37.1-39.0°C / 98.7-102.2°F)
Temperature display range	Skin temperature: 30.0-42.0°C / 86.0-107.6°F Incubator air temperature: 20.0-42.0°C / 68.0-107.6°F
Heater output indication	0-100 (in 10 levels)
Alarm	High temperature, skin temperature probe, fan, set point, system failure, power failure

Humidity controller

Control mode	Servo control
Humidity setting range	40-95% (in 1% increments)
Humidity display range	15-99%
Maximum humidity	≥ 90% (at ambient humidity 50% RH, ambient temperature 25°C, incubator air temperature setting 37°C)
Alarm	Humidity chamber off, low water level, relative humidity set point alarm, humidity sensor alarm

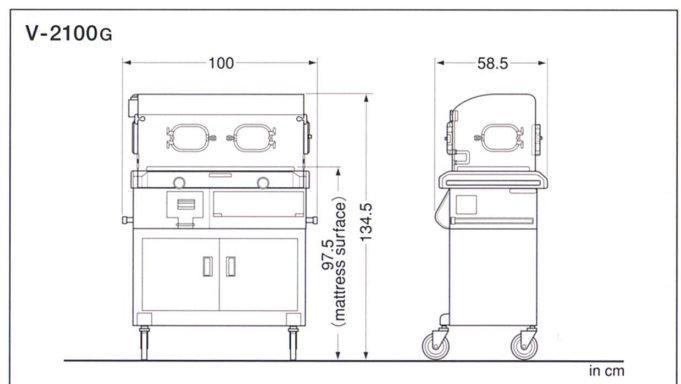
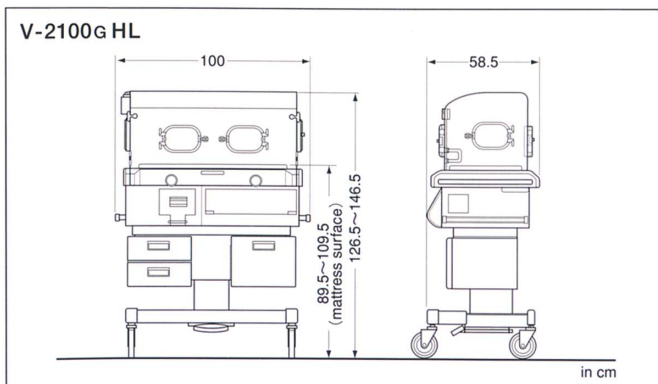
Oxygen controller typeB typeC*1

Control mode	Servo control
Oxygen concentration setting range	22-65%
Maximum oxygen concentration	≥ 65%
Calibration	21% or 100%
Alarm	Oxygen sensor, set oxygen concentration

Weight monitor typeC*2

Weight display range	300-7000g (in 1g increments)
Function	To store measurements in the memory.

*1: Type A isn't provided with this function. The maximum oxygen concentration in type A is 65% or higher (at an oxygen flow rate of 10L/min).
*2: Type A and type B are not provided with this function.



Options and Supplies



An infant can be weighed in the incubator.

Code No. 66300 **Atom Infant Weighing Scale NS-616** hanging type

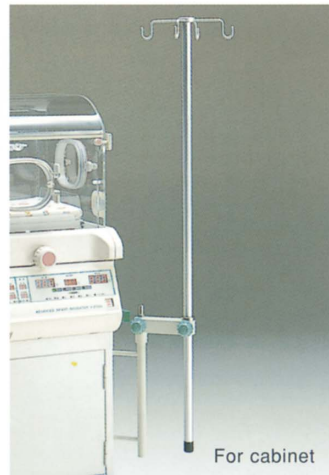
Power	9VDC. (C type dry battery × 6)
Performance	Weighing capacity : 6kg Weighing range : 10g-6kg Minimum division : 1g (0-800g) / 2g (800g-1.6kg) / 5g (1.6kg-4kg) / 10g (4kg-6kg)
Dimensions & weight	21.5 (W) × 12.5 (D) × 10.5 (H) cm, Approx. 2.3kg (dry batteries included)

Code No. 26305 **Hammock L** for infant weighing scale, 5pcs/bag

Code No. 26306 **Hammock M** for infant weighing scale, 5pcs/bag



For HL stand



For cabinet

Code No. 60852 **Crank type I.V Pole** for HL stand, with metal fittings

Code No. 60854 **Crank type I.V Pole** for cabinet, with metal fittings

* The I.V pole can be attached to either side of the HL stand or the cabinet.



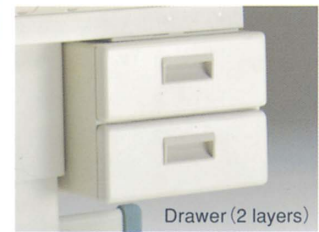
Drawer (Swivel type)

Code No. 60887 **Drawer (Swivel type)** for HL stand (1 layer)

*The drawer (s) can be installed to either side of the HL stand.



Drawer (1 layer)



Drawer (2 layers)

Code No. 60850 **Drawer** 1 layer for HL stand

Code No. 60851 **Drawer** 2 layers for HL stand



Code No. 61222 **Safety Flow OX-248**

Rail mount type
Flow adjustment range : 1-15L/min



Code No. 61225 **Safety Flow OX-202**

Gas cylinder mount type
Pressure regulation : 3.5kg/cm²
Flow adjustment range : 1-15L/min



Code No. 34580 **Yox Model S401** (aspirator)

Rail mount type Suction jar : 1L
Pressure adjustment range : 0-53kPa
(0-400mmHg)



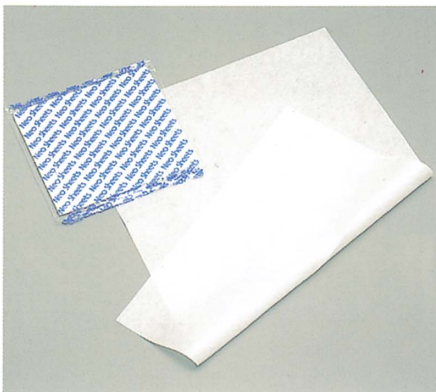
Code No. 60846 **Atom Head Frame**
 ● Securely holds the respiratory circuit tube and the infant's head.



Code No. 60857 **Patient Circuit Introduction Holder with arm**
 Compatible tube: 12 & 17mm in diameter
 ● The patient circuit can be easily introduced and securely fixed.



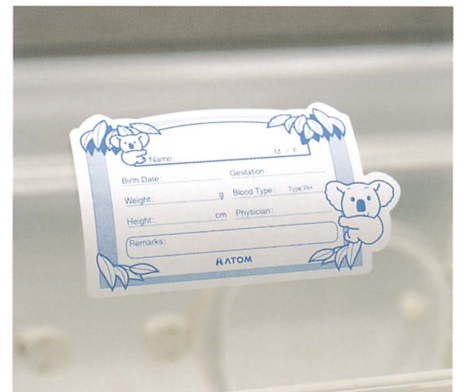
Code No. 60858 **Tube Holder** for V-2100G
 * This cannot be attached to type C.



Code No. 21002 **Neo Sheets** 100 pcs/box
 Dimensions: 100×75cm
 Sterilized by electronic ray radiation, disposable
 ● Made of non-woven fabric, this disposable sheet is superior in moisture absorption and permeability.



Code No. 21254 **Mattress Sheet** 5 pcs/box
 Material: cotton 100%
 Dimensions: 100×100cm



Code No. 67100 **Baby Card (Koala)** blue
 50pcs/box
 Code No. 67101 **Baby Card (Koala)** pink
 50pcs/box
 ● This can be attached directly to the incubator hood, removed easily, and attached again.



Code No. 26109 **Atom Feeding Syringe Holder**
 Compatible syringe: 20 & 30mL
 ● For automatic feeding with a glass syringe. A feeding rate can be adjusted by adjusting the angle of the holder.

Skin Temperature Probe

Code No.	Color	Description
60883	Yellow	Premie/5mm in diameter
60882	(6P)	Neonatal/10mm in diameter
60881	White	Premie/5mm in diameter
60880	(4P)	Neonatal/10mm in diameter

Disposable Skin Temperature Probe

Code No.	Color	Units
60884	Yellow	10pcs/box
60890	White	

Code No. 60885 **Connecting Cable (Yellow)**
 for Disposable Skin Temperature Probe

Code No. 60891 **Connecting Cable (White)**
 for Disposable Skin Temperature Probe

Code No. 21252 **Oxygen Sensor**
 for V-2100G, 2 pcs/set

Code No. 21155 **Silvita**
 Silver coin for humidifier, 5 pcs/bag

Code No. 60860 **Access Port Cover** 20pcs/box

Code No. 21251 **F-6E Electrostatic Filter**
 for V-2100G, 5 pcs/box



DIVISIÓN DE EQUIPOS E INFRAESTRUCTURA PARA SERVICIOS
MÉDICOS HOSPITALARIOS

www.sejiroyazawaiwai.com
info@sejiroyazawaiwai.com