

OPMI Sensera/S7 System

Step into the light





"red dot" award for high design quality: in an international competition for product design, OPMI Sensera impressed the jury with its high degree of innovation, excellent functionality and superb ease of use.

reddot design award
winner 2003

Ease of use

Always a step ahead

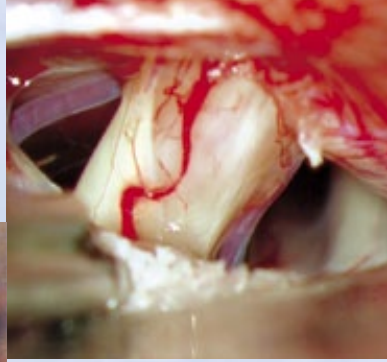
Since the introduction of the first surgical microscope in 1953, the field of otorhinolaryngology has been at the forefront of microsurgery. For over 50 years Carl Zeiss, in collaboration with surgeons, has strived to produce the best possible visualization solutions, thereby helping surgeons improve the quality of life for countless patients.

With its effortless mobility, OPMI® Sensera®/S7 delivers maximum operating comfort for procedures on the ear, nose or throat. At the push of a button, the innovative balancing system places the surgical microscope in the correct position – even when equipped with maximum accessories.



*Clear lines and precise form
signal a new era in ENT surgery*

Below: Papillomatosis of the left vocal cord region. Source: Hannover School of Medicine, Prof. Dr. Th. Lenarz



Above: Acoustic Neuroma. Source: Gruppo Otologico-Piacenza, Prof. Dr. Sanna

For the ear, precision is key

The OPMI Sensera/S 7 system is specifically optimized for the delicate and precise techniques demanded in procedures on the ear. OPMI Sensera also ensures maximum comfort for the complex configurations required for performing skull-base surgery.

Just follow your nose

Varioskop® optics, combined with the inclinable binocular tube, enable the surgeon to maintain a comfortable position, particularly in paranasal sinus surgery, where the working distance changes frequently. Refocusing is as simple as pushing a button and surgeons also have the ability to adjust the spot size of the illumination to see down narrow nasal passages.



Preserving functionality in throat procedures

CO₂ lasers are often used in surgery on the larynx. Because it is so unbelievably compact, OPMI Sensera makes it possible to operate comfortably – even in extreme positions. The optional external finefocus from OPMI Sensera allows surgeons to synchronize the focus of the surgical microscope and the laser without disrupting the procedure.





Optical Excellence

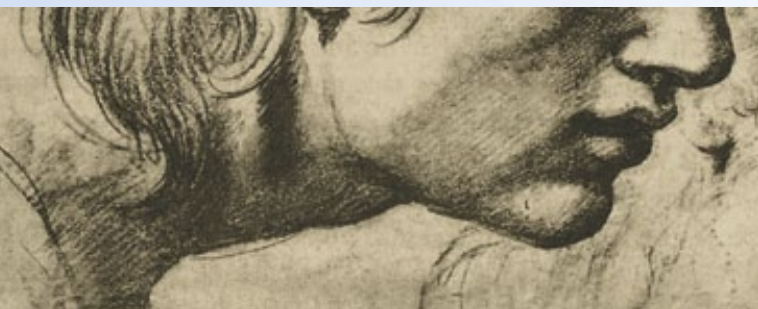
Optics at their best

What better support could Carl Zeiss offer surgeons than legendary ZEISS optics? As demands continue to grow, it is becoming that much more important for surgeons to be able to rely on the extraordinary image quality, improved resolution and outstanding color rendition delivered by apochromatic optics. A Varioskop that provides a working distance of 200–415 mm coupled with the well-known 1:6 ZEISS zoom system ensures that

these optics can always be used comfortably. The integrated Superlux® 180 xenon illumination ensures that the finest details are also visible in true color.

SpeedFokus™ at the push of a button

SpeedFokus generates a crisp image within a matter of seconds. This innovative autofocus system simplifies procedures with its automatic, fast and precise focusing at the push of a button. Workflows become more efficient as surgeons can completely concentrate on the treatment. Manual, time-consuming focusing is a thing of the past.



Form and function redefined



Ease of documentation

ZEISS provides outstanding video solutions for documentation and co-observation. The camera portfolio ranges from the integrated 1 CCD standard-definition camera MediLive® Primo to the easily attachable 3 CCD high-definition camera TRIO 610. Combined with MEDIALINK™ 100, pictures and videos can be immediately captured and recorded for further processing.

Adaptability is key

Combined with OPMI Sensera, laser micro-manipulators permit the use of different, easily mounted lasers.

Ergonomic handgrips include four programmable buttons in addition to zoom and focus controls.



Perfect Integration



or for transfer between different rooms. OPMI Sensera is also available on the S7 ceiling mount with a fixed height column or an optional power column.

Individual settings

In today's increasingly crowded ORs, OPMI Sensera easily and quickly adapts to the varying procedural needs of the ENT surgeon. The touch of a button on the S7 graphic interface quickly configures an optimized setup for ear, nose or throat surgery. Plus, three surgeons can store their personal preferences for magnification, focus and illumination.

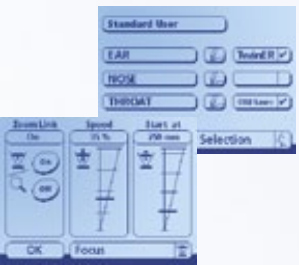
At Carl Zeiss we view it as our responsibility to not just recognize new surgical trends, but to provide solutions that seamlessly and comfortably enable surgeons to apply and evolve these new techniques. Our goal is to provide surgeons with instruments that will help them to perform procedures that improve outcomes and the quality of life for patients around the world. And this is exactly what OPMI Sensera will do.

Noticeable convenience

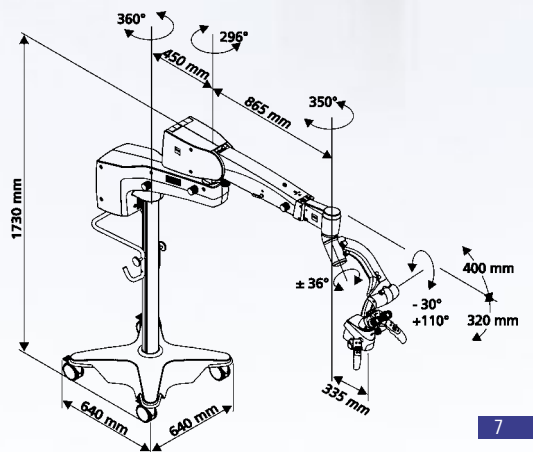
Clearly designed lines, form and functionality define the OPMI Sensera/S7 System. No expense was spared to make convenience possible, yet invisible. Internal zoom and focus, the Superlux 180 Xenon illumination, and the optional integrated 1CCD camera MediLive Primo are all built in and hidden from view, thus eliminating bothersome cable clutter that can affect the movement of the microscope and make it easier to clean.

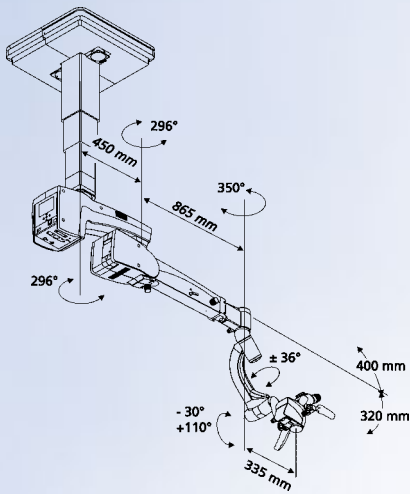
Feather-light maneuverability

The floorstand has four freely rotating casters that facilitate easy movement during repositioning in the OR



The outstanding features of the S7 ceiling mount include not only its precise positioning above the operating table, but also the ample headroom provided in its standby position by the optional power column.





Technical Data

OPMI Sensera

Magnification Motorized ZEISS Zoom, 1:6 ratio, adjustable via handgrips or foot control panel.

Focus System (Varioskop) Internal, motorized, continuously adjustable. Triggered via handgrip or foot control panel.

SpeedFokus – optional autofocus system

Working Range 200–415 mm

Main Binocular Tube

Inclinable 0-180° f = 170 mm or f = 200 mm with 12.5x or 10x wide-angle eyepieces.

S7 Floorstand and Ceiling Mount

Line Voltage 115 / 230 V $\pm 10\%$

Frequency 50-60 Hz

Power Consumption Max. 115 V, 10 A

Max. 230 V, 8 A

Line Protection Automatic Circuit Breaker

Weight

Floorstand: Approx. 165 kg (complete with OPMI)

Ceiling Mount: Approx. 120 kg (complete with OPMI)

Optional Power Column of the S7 Ceiling Mount



Superlux 180 Light Source

Main and Backup Illumination

180 Watt Xenon daylight lamp via light guide in fast action lamp changer.

S e n s e r a



*Impressive details &
perfect balance*

Your local contact:**Argentina**

Carl Zeiss Argentina S.A.
Calle Nahuel Huapi 4015 / 25
C1430 BCO Buenos Aires
Argentina
Phone: +54 11 45 45 66 61
bruzzi@zeiss.com.ar

Australia

Carl Zeiss Pty. Ltd.
Unit 13, 2 Eden Park Drive
North Ryde, New South Wales 2113
Australia
Phone: +61 2 9020 1333
med@zeiss.com.au

Austria

Carl Zeiss GmbH
Modecenterstrasse 16
1030 Vienna
Austria
Phone: +43 1 79 51 80
austria@zeiss.org

Belgium

Carl Zeiss NV-SA
Ikaroslaan 49
1930 Zaventem
Belgium
Phone: + 32 2 719 39 11
info@zeiss.be

Brazil

Carl Zeiss do Brasil Ltda.
Av. Nações Unidas, 21711
CEP04795-100 São Paulo
Brazil
Phone: +55 11 5693 5521
medbrasil@zeiss.org

Canada

Carl Zeiss Canada Ltd.
45 Valleybrook Drive
Toronto, ON M3B 2S6
Canada
Phone: +1 800 387 8037
micro@zeiss.com

China

Carl Zeiss Shanghai Co. Ltd.
1/f., Ke Yuan Building
11 Ri Yin Nan Road
Waigaoqiao Free Trade Zone
2005 Yang Gao Bei Road
Shanghai 200131
China
Phone: +86 21 5048 17 17
sro@zeiss.com.cn

Czech Republic

Carl Zeiss spol. s.r.o.
Radlická 14/3201
150 00 Prague 5
Czech Republic
Phone: +420 233 101 221
zeiss@zeiss.cz

France

Carl Zeiss Meditec France SAS
60, route de Sartrouville
78230 Le Pecq
France
Phone: +33 1 34 80 21 00
med@zeiss.fr

Germany

Carl Zeiss Meditec VG mbH
Carl-Zeiss-Strasse 22
73446 Oberkochen
Germany
Phone: +49 7364 20 6000
vertrieb@meditec.zeiss.com
Surgical Ophthalmology:
Phone: +49 800 470 50 30
iol.order@meditec.zeiss.com

Hong Kong

Carl Zeiss Far East Co. Ltd.
Units 11-12, 25/F
Tower 2, Ever Gain Plaza
No. 88 Container Port Road
Kwai Chung
Hong Kong
Phone: +852 2332 0402
czfe@zeiss.com.hk

India

Carl Zeiss India Pvt. Ltd.
22, Kensington Road
Ulsoor
Bangalore 560 008
India
Phone: +91 80 2557 88 88
info@zeiss.co.in

Italy

Carl Zeiss S.p.A.
Viale delle Industrie 20
20020 Arese (Milan)
Italy
Phone: +39 02 93773 1
post@zeiss.it

Japan

Carl Zeiss Meditec Japan Co. Ltd.
Shinjuku Ku
Tokyo 160-0003
22 Honchio-Cho
Japan
Ophthalmic instruments:
Phone: +81 3 33 55 0331
medsales@zeiss.co.jp
Surgical instruments:
Phone: +81 3 33 55 0341
cmskoho@zeiss.co.jp

Malaysia

Carl Zeiss Sdn Bhd.
Lot2, Jalan 243/51 A
46100 Petaling Jaya
Selangor Darul Ehsan
Malaysia
Phone: +60 3 7877 50 58
malaysia@zeiss.com.sg

Mexico

Carl Zeiss de México S.A. de C.V.
Avenida Miguel Angel de Quevedo
496
04010 Mexico City
Mexico
Phone: +52 55 59 99 0200
cz-mexico@zeiss.org

Netherlands

Carl Zeiss B.V.
Trapezium 300
Postbus 310
3364 DL Slidrecht
Netherlands
Phone: +31 184 43 34 00
info@zeiss.nl

New Zealand

Carl Zeiss (N.Z.) Ltd.
15B Paramount Drive
P.O. Box 121 - 1001
Henderson, Auckland 0650
New Zealand
Phone: +64 9 838 5626
med@zeiss.com.a

Poland

Carl Zeiss sp. Z o.o.
ul. Lopuszanska 32
02-220 Warsaw
Poland
Phone: +48 22 858 2343
medycyna@zeiss.pl

Singapore

Carl Zeiss Ptd. Ltd.
50 Kaki Bukit Place
Singapore 415926
Singapore
Phone: +65 6741 9600
info@zeiss.com.sg

South Africa

Carl Zeiss (Pty.) Ltd.
363 Oak Avenue
Ferndale
Randburg 2194
South Africa
Phone: +27 11 886 9510
info@zeiss.co.za

South Korea

Carl Zeiss Co. Ltd.
Seoul 121-828
Mapo-gu
141-1, Sangsu-dong
2F, BR Elitel Bldg.
South Korea
Phone: +82 2 3140 2600
korea@zeiss.co.kr

Spain

Carl Zeiss Meditec Iberia S.A.
Ronda de Poniente, 15
Tres Cantos
28760 Madrid
Spain
Phone: +34 91 203 37 00
info@zeiss.es

Sweden

Carl Zeiss AB
Tegeluddsvaegen 76
10254 Stockholm
Sweden
Phone: +46 84 59 25 00
info@zeiss.se

Switzerland

Carl Zeiss AG
Feldbachstrasse 81
8714 Feldbach
Switzerland
Phone: +41 55 254 7534
med@zeiss.ch

Thailand

Carl Zeiss Thailand
Floor 8, Thosapol Land Building 2
230 Ratchadapisek Road
Huaykwang, Bangkok 10310
Thailand
Phone: +66 2 2 74 06 43
thailand@zeiss.com.sg

United Kingdom

Carl Zeiss Ltd.
15-20 Woodfield Road
Welwyn Garden City
Hertfordshire, AL7 1JQ
United Kingdom
Phone: +44 1707 871200
info@zeiss.co.uk

United States of America

Carl Zeiss Meditec, Inc.
10 Hacienda Drive
Dublin, CA 94568
USA
Phone: +1 925 557 4100
i.info@meditec.zeiss.com

**Manufacturer:****Carl Zeiss Meditec AG**

Goeschwitzer Str. 51–52

07745 Jena

Germany

www.meditec.zeiss.com/ent