



# Ophthalmic Chair UN-15

Aiming at new levels in quality



# Ophthalmic Chair

## UN-15

Takagi's technique and experience realized a reclining chair 45mm lower than previous models. We promise satisfaction throughout the wide range of conditions this chair is designed to accommodate.

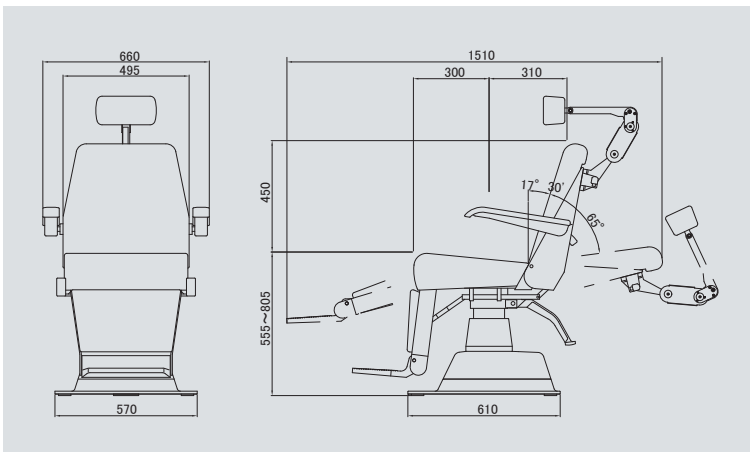
### Outstanding Features

1. **Pneumatic-assisted manual recline mechanism uses patient weight for effortless patient adjustments.**
2. **Recline capability includes both a completely flat position and a partial, seat-back only recline.**
3. **A single-handed headrest is standard with UN-15, and our unique lock indicator assures that the headrest is firmly and securely in position.**
4. **TAKAGI standard fail-safe hydraulic system provides smooth elevation with using a foot switch.**
5. **Includes the foot-activated rotation lock.**

### Specifications

Reclining angle	107.5° to 167.5°
Rotating angle	250°
Reclining	By power hydraulic pump motor.
Allowable Load	150kg
Power Supply	AC110V, 115V, 230V 50/60Hz
Power Consumption	690VA
Weight	110kg

### Dimensions



Single-handed headrest



Foot-activated rotation lock



Combined with Ophthalmic Stand SN-500

● Design and specifications are subject to change as improvements are made to the product.

**TAKAGI SEIKO CO.,LTD.**

330-2 IWAFUNE, NAKANO-SHI, NAGANO-KEN, 383-8585, JAPAN  
 TEL.+81-269-22-4512 FAX.+81-269-26-6321  
 URL:<http://www.takagi-j.com> E-mail:[info@takagi-j.com](mailto:info@takagi-j.com)

