

Time for a change: OPMI® pico for ENT



We make it visible.

Time for the **OPMI® pico.** For the new generation.

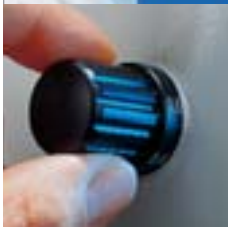


Small, compact, convenient – and excellently suited for the many different tasks performed by an ENT diagnostic microscope: OPMI® pico.

OPMI® pico heralds the dawning of a new age in technology. A new generation of innovative products also incorporates the time-tested features of the past. We have enhanced what was already excellent in our ENT diagnostic microscopes. The result: the mobility, the optics, the illumination of OPMI® pico.

OPMI® pico: Always flexible

- Precise positioning and easy handling
- T-handgrip for reliable, exact setting of the position required for examination of the patient
- Outstanding focusing convenience by moving the OPMI® pico; fine focusing with the focusing objective (accessory)





**OPMI® pico:
Faster in focus**

- Razor-sharp images with high contrast and an outstanding impression of stereopsis
- Superb visual comfort otherwise only provided by surgical microscopes
- Impressive panorama viewing through wide-field optics
- High-eyepoint eyecups for excellent visual comfort
- Relaxed vision with or without eyeglasses
- Setting of your own personal PD
- See everything down to the last detail: 5 magnification steps with the apochromatic magnification changer

**OPMI® pico:
See more, recognize more**

- Excellent, powerful fiber optic illumination through the use of state-of-the-art technology in the illumination system of the OPMI® pico
 - Totally homogeneous illuminated field – currently unparalleled in this price category
 - Outstanding depth perception over a large range, even in deep, narrow channels

OPMI® pico: For comfortable, concentrated work

- Enjoy an upright, comfortable posture with the ergonomic viewing tube
- Easy-to-change objective lenses with different focal lengths – the optimum working distance for every examination
- Brightness setting couldn't be easier – the control knob is directly above the viewing tube
- Excellent contact between doctor and patient thanks to extremely compact design



OPMI® pico: Performance and design in a class of their own

- Innovative OPMI® pico with compact, streamlined design
- Functionality of the OPMI® pico harmonizes with your office environment
- The budget-friendly solution
- Internal routing of cables for easy cleaning

*Design Innovation 2000
Essen – Germany
“red dot award”
for highest design quality*



reddot





**Easier when said with pictures -
OPMI® pico with integrated video
camera**

- Integrated video camera (option) for patient education and documentation.
- High image quality delivers true-color images.
- Innovative video concept with “freeze” function: the capture of freeze images using the foot control panel allows prompt explanation of the treatment to the patient.
- Simple operation enhances the system’s ease of use.
- The integrated video camera is always “at the ready”.



**Endoscope camera available?
Then opt for the OPMI® pico
with Endoport™!**

- A single click – and an existing endoscope video camera is attached to the integrated optical port of the OPMI® pico with Endoport™.
- All magnifications are also available on the monitor: from overview to minutest details.
- Endoport™ can be retrofitted by the ZEISS service department.



A practice-oriented trio

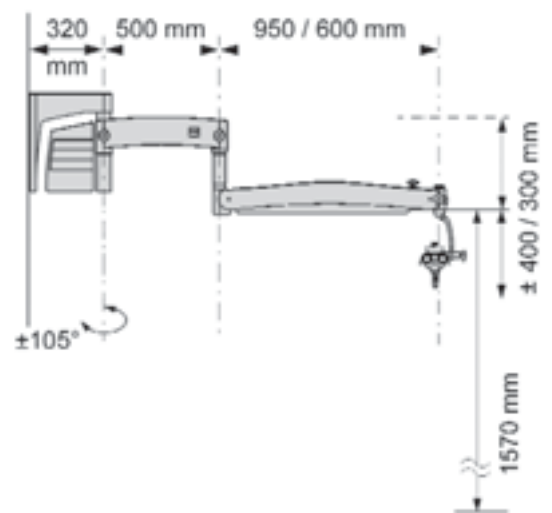
- Take your pick – floor stand, wall mount or ceiling mount, depending on which suspension system best meets the needs of your premises.
- Attractive design for an innovative office.
- Ideal dimensions for a long reach.
- Integration in existing examination units possible.
- Space-saving stand-by position.
- Inclination switch for automatic activation and deactivation of the illumination.
- Electrical supply for coaxial cold light illumination in the suspension system.
- In the event of lamp failure, rapid lamp change by pressing a button on the suspension system.

Make even more possible: the accessories



- Inclined 120° coupling for additional lateral and front-to-back tilt motion – particularly suitable for examining supine patients
- Fine focusing (focusing range 13 mm) using objective lenses featuring a focusing device (focal length $f = 200 \text{ mm}$, $f = 250 \text{ mm}$)
- Alternative handgrips for attaching to different positions on the OPMI® pico
- Asepsis: sterilizable caps for the controls

S100 Wall Mount



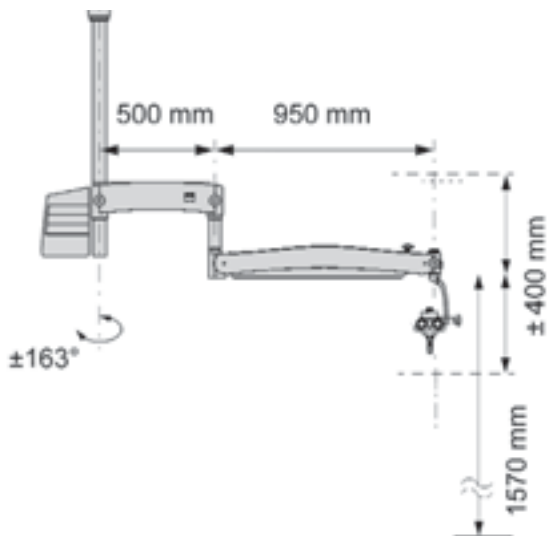
Technical data



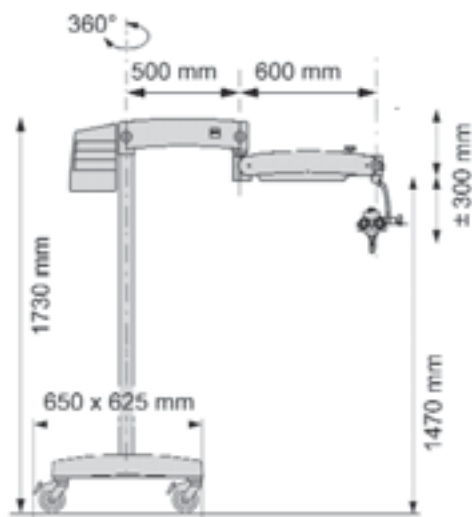
Illumination	Coaxial, cold light 12 V 100 W illumination with fast-action lamp changer				
Working distance	200 mm to 400 mm in steps of 50 mm, objective lenses interchangeable, focusing objectives $f = 200$ mm, $f = 250$ mm (accessories)				
Viewing tube	Straight widefield tube with widefield, high-eyepoint 10x eyepieces Alternative: widefield, high-eyepoint 12.5x eyepieces Alternative: widefield, tiltable 180° tube				
Magnification	5-step, apochromatic magnification changer (γ -factors 0.4/0.6/1/1.6/2.5)				
Example:					
Focal length/eyepieces	$f = 250$ mm / 10x				
Magnifications	2.7 x	4.1 x	6.8 x	10.9 x	17 x
Field-of-view diameter/mm	76	50	30	19	12
Video camera (optionally integrated)	1 CCD, Y/C (S-Video), VBS (composite), 752 (H) x 582 (V) PAL, 768 (H) x 494 (V) NTSC, S/N ratio 50 dB, horizontal resolution 480 lines, footswitch connector to freeze images				
Endoport™ (optionally integrated)	Optical port for endoscope cameras on the OPMI® pico Attachment of all standard endoscope cameras with high-speed shutter				
Image diagonal of the video image corresponds to	<ul style="list-style-type: none"> ■ 90% of the field-of-view with 12.5x eyepiece ■ 75% of the field-of-view with 10x eyepiece 				
	Endoport™ can be retrofitted to OPMI® pico by the ZEISS service department.				
Compliance	<ul style="list-style-type: none"> <li style="width: 50%;">■ DIN EN ISO 9001 <li style="width: 50%;">■ DIN EN ISO 13485 <li style="width: 50%;">■ DIN EN 60601-1 <li style="width: 50%;">■ UL 60601-1 <li style="width: 50%;">■ CAN/CSA C22.2 No. 601.1 				



S100 Ceiling Mount



S100 Floor Stand





For advice, please contact:

┌

└

┌

└

Carl Zeiss Surgical GmbH

73446 Oberkochen
Germany
Fax: +49 (0) 7364/20-4823
Email: surgical@zeiss.de
www.zeiss.com/ent
www.zeiss.com/contacts

OPMI is a registered trademark of Carl Zeiss.
Endoport is a trademark of Carl Zeiss.