



OPMI Lumera i
Brilliant Red Reflex.
Efficient Workflow.



We make it visible.

Precision

All the Details of the Patient's Eye

With Stereo Coaxial Illumination (SCI), OPMI Lumera® i incorporates a revolutionary technology for the red reflex. Contours appear razor sharp. See intricacies of the ocular anatomy and experience details of the patient's eye more vividly and brilliantly than ever before.

A stable red reflex without compromises

The surgical area shines brightly and vividly, even with strongly pigmented, decentered and ametropic eyes when viewed through the OPMI Lumera i.

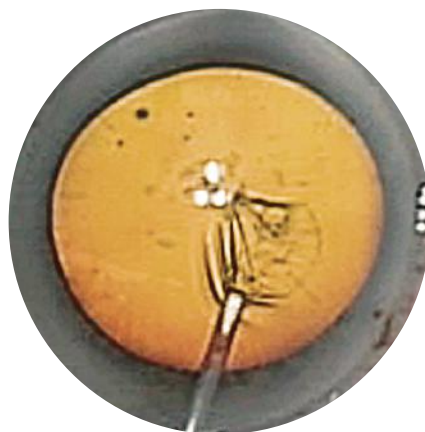
Better depth of field means fewer adjustments

DeepView, the integrated depth of field management system allows you to optimize the microscope in seconds. At the push of a button, switch between maximum light transmission and maximum depth of field – whichever best suits the situation.

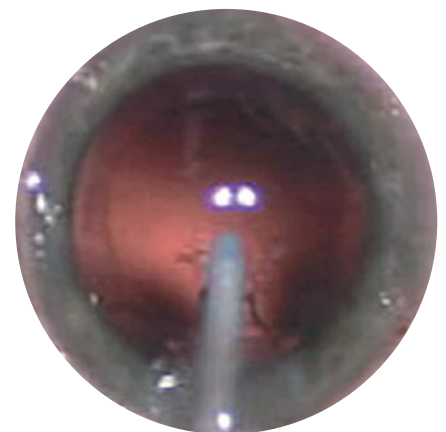
Light without interruption

The system automatically detects a defective halogen bulb and immediately turns on the backup bulb, eliminating the time required for manual replacement.

*Unique contrast and outstanding brilliance thanks to SCI: comparison of red reflexes.
(Cincinnati Eye Institute, OH, USA)*



OPMI Lumera i



Conventional microscope



Performance

Your Ergonomics – Perfectly Integrated

Integration is the epitome of the OPMI Lumera i. The video camera control unit and most of the microscope's cables are incorporated into the stand. As part of an optimal workflow, the image of the surgical field can be directly transmitted to a monitor in the operating room or into another room, allowing live monitoring of the procedure and helping workflow by providing everyone with the same information.

Centrally controlled

OPMI Lumera i adjusts to your needs, not the other way around. With the microscope's touchscreen you can control both the microscope and the video camera. The display is easy to use and can be easily accessed during an operation.



Touchscreen control

Simultaneous viewing

OPMI Lumera i can be equipped with a stereo co-observation tube. This enables a second person to see the surgical field at the same magnification level. This is particularly well suited for sterile assistants or for training.

React individually and hands-free

The ergonomically designed foot control panel (wireless or wired) easily enables you to control OPMI Lumera i precisely and reliably. You can custom configure the buttons according to your personal preferences.

Easy sterility recognition

OPMI Lumera i addresses every detail. The blue colored, resterilizable asepsis caps are a perfect example; they enable you to recognize whether control surfaces are sterile or non-sterile.

Rapid change for cataract or retina

With the optional Invertertube®, conversions are no longer required when switching between cataract and retina surgeries.

Freedom of movement even when OR space is scarce

The compact suspension system makes the OPMI Lumera i ideal for smaller operating rooms such as those in ambulatory surgical centers.



Freely configurable foot control panel

Wide Range of Accessories for Special Demands

Select the Configuration that is Tailored to the Needs of Your OR

MediLive Primo for video co-observation

The compact and economical 1CCD video camera is ideal for showing video on a monitor – enabling staff or students to follow the operation.

MEDIALINK 100

The MEDIALINK™ 100 makes documentation of surgeries simple. Record standard definition videos and capture still images that can then be automatically transferred to USB storage media or to a fileserver.

HD redefined with TRIO 610

The high definition camera system with apochromatic video optics allows microscope images to be generated with enhanced resolution and color rendition. The camera can be used for information, documentation, teaching and presentation of high quality images.

MediLive Trio Eye for all ophthalmic video requirements

The MediLive® Trio Eye video camera can be adjusted to different lighting conditions at the push of a button. It provides a bright, high-contrast image on the monitor during posterior segment procedures where little light is used. In the anterior segment, the videos provide details of the sclera without blooming.

View of the retina

The RESIGHT® 500 fundus viewing system provides a clear, detailed view of the retina.

Invertertube for a fast change

Slow, laborious conversions between cataract and retina surgery are a thing of the past. The Carl Zeiss Invertertube integrates inverter functionality into an ergonomically designed binocular tube, simplifying image inversion and allowing the surgeon to work in complete comfort.

Stereo co-observation tube for a second set of eyes

The second viewing tube connected via a beam splitter enables assistants or students to directly view the surgical field and techniques of the surgeon.

FlexioStill™ adapter for use with compact cameras

With this lightweight, easy-to-use adapter, a compact digital camera can quickly and easily become a part of the OPMI Lumera i surgical microscope.



MEDIALINK 100



RESIGHT 500



Invertertube E

Patient Care

Recognizing all Details Reliably

Patients trust in your surgical capabilities. OPMI Lumera i complements your personal desire to provide premium medical care.

Visualization

The SCI illumination technology in OPMI Lumera i establishes an entirely new benchmark regarding contrast and brilliance. Recognize the slightest residual tissue in the capsular bag reliably and remove it properly. You can also see small but critical details during retinal procedures.

RESIGHT 500

Incorporating renown Carl Zeiss apochromatic optics, the RESIGHT 500 non-contact fundus viewing system provides a clear, detailed view of the retina.

Automatic light control

The system automatically turns off the light when OPMI Lumera i is placed in the standby position.

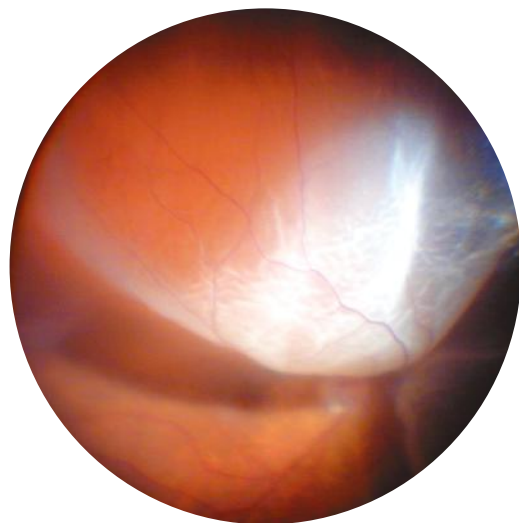
Phototoxicity protection

Thanks to the optical concept of SCI illumination, very little light is required to generate the red reflex. This minimizes light exposure to the patient's eye. Furthermore, the full field illumination can be separately regulated so that the red reflex shines as brightly as possible and is not affected by scattered light. This creates greater visualization capabilities, while maximizing the surgeon's comfort, particularly during long, complicated surgeries.

*Cataract surgery:
SCI enables you to recognize the
slightest tissue residue in detail.*



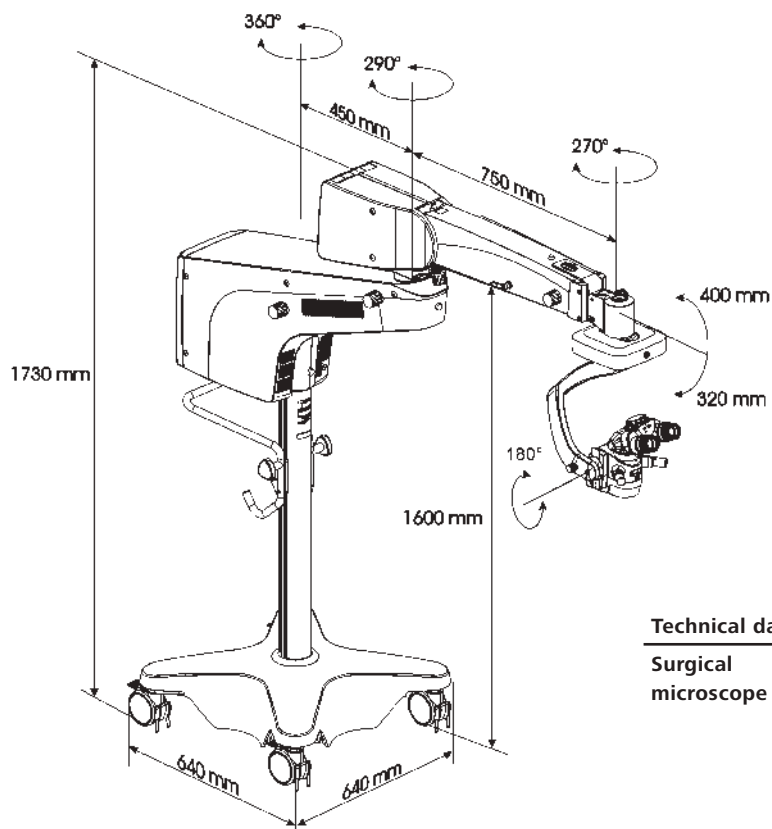
*Retinal surgery:
The high quality optics and light source
allow you to see the retina in full detail.*





Technical Data

OPMI Lumera i



Technical data

Surgical microscope

Apochromatic optics

Motorized zoom system, 1:6 zoom ratio, magnification factors $\gamma = 0.4$ to 2.4

Focusing range: 50 mm

Binocular tube: 0-180° tiltable tube (optional Invertertube)

Eyepieces: 10 x (12.5 optional)

Objective lens $f = 200$ mm ($f = 175$ mm optional)

DeepView: depth of field management system

Illumination

SCI: red reflex illumination and full field illumination, both are adjustable, patent pending

Integrated 408 nm UV barrier filter

Blue blocking filter

Retinal protection device

Fiber optic illumination

Optional: fluorescence filter

Light source

12 V, 100 W halogen light source with fully automatic lamp change in case of lamp failure

X-Y coupling

61 mm x 61 mm adjustment range

Free programmable button for starting positions of X-Y coupling, focus and zoom, light

Weight

8.5 kg (with 180° inclinable binocular tube, objective lens and eyepieces)

Suspension system

Floor stand

Maximum load capacity: 14 kg (complete microscope equipment, including accessories)



The moment innovation and passion
lead to the best vision for your patient.
This is the moment we work for.

// OPHTHALMIC SOLUTIONS
MADE BY CARL ZEISS

Your local contact:

Argentina

Carl Zeiss Argentina S.A.
Calle Nahuel Huapi 4015 / 25
C1430 BCO Buenos Aires
Argentina
Phone: +54 11 45 45 66 61
bruzzi@zeiss.com.ar

Australia

Carl Zeiss Pty Ltd
Tenancy Office 4, Level 1
40-52 Talavera Road
North Ryde NSW 2113
Australia
Phone: +61 2 9020 1333
med@zeiss.com

Austria

Carl Zeiss GmbH
Laxenburger Str. 2
1100 Vienna
Austria
Phone: +43 1 79 51 80
austria@zeiss.org

Belgium

Carl Zeiss NV-SA
Ikaroslaan 49
1930 Zaventem
Belgium
Phone: +32 2 719 39 11
info@zeiss.be

Brazil

Carl Zeiss do Brasil Ltda.
Av. Nações Unidas, 21711
CEP04795-100 São Paulo
Brazil
Phone: +55 11 5693 5521
medbrasil@zeiss.org

Canada

Carl Zeiss Canada Ltd.
45 Valleybrook Drive
Toronto, ON M3B 2S6
Canada
Phone: +1 800 387 8037
czcmed@zeiss.com

China

Carl Zeiss Shanghai Co. Ltd.
1/f., Ke Yuan Building
11 Ri Yin Nan Road
Waigaoqiao Free Trade Zone
2005 Yang Gao Bei Road
Shanghai 200131
China
Phone: +86 21 5048 17 17
sro@zeiss.com.cn

Czech Republic

Carl Zeiss spol. s.r.o.
Radlická 14/3201
150 00 Prague 5
Czech Republic
Phone: +420 233 101 221
zeiss@zeiss.cz

France

Carl Zeiss Meditec France SAS
100, Route de Versailles
CS 30502
78161 Marly-le-Roi Cedex
France
Phone: +33 1 34 80 21 00
med@zeiss.fr

Germany

Carl Zeiss Meditec VG mbH
Carl-Zeiss-Strasse 22
73447 Oberkochen
Germany
Phone: +49 7364 20 6000
vertrieb@meditec.zeiss.com
Surgical Ophthalmology:
Phone: +49 800 470 50 30
iol.order@meditec.zeiss.com

Hong Kong

Carl Zeiss Far East Co. Ltd.
Units 11-12, 25/F
Tower 2, Ever Gain Plaza
No. 88 Container Port Road
Kwai Chung
Hong Kong
Phone: +852 2332 0402
czfe@zeiss.com.hk

India

Carl Zeiss India Pvt. Ltd.
Plot No.3, Jigani Link Road
Bommasandra Industrial Area
Bangalore - 560 099
India
Phone: +91 80 4343 8000
info@zeiss.co.in

Italy

Carl Zeiss S.p.A.
Viale delle Industrie 20
20020 Arese (Milan)
Italy
Phone: +39 02 93773 1
infomed@zeiss.it

Japan

Carl Zeiss Meditec Japan Co. Ltd.
Shinjuku Ku
Tokyo 160-0003
22 Honchio-Cho
Japan
Ophthalmic instruments:
Phone: +81 3 33 55 0331
medsales@zeiss.co.jp
Surgical instruments:
Phone: +81 3 33 55 0341
cmsgkoho@zeiss.co.jp

Malaysia

Carl Zeiss Sdn Bhd.
Lot2, Jalan 243/51 A
46100 Petaling Jaya
Selangor Darul Ehsan
Malaysia
Phone: +60 3 7877 50 58
malaysia@zeiss.com.sg

Mexico

Carl Zeiss de México S.A. de C.V.
Avenida Miguel Angel de Quevedo
496
04010 Mexico City
Mexico
Phone: +52 55 59 99 0200
cz-mexico@zeiss.org

Netherlands

Carl Zeiss B.V.
Trapezium 300
Postbus 310
3364 DL Slidrecht
Netherlands
Phone: +31 184 43 34 00
info@zeiss.nl

New Zealand

Carl Zeiss (N.Z.) Ltd.
15B Paramount Drive
P.O. Box 121 - 1001
Henderson, Auckland 0650
New Zealand
Phone: +64 9 838 5626
med@zeiss.com

Poland

Carl Zeiss sp. z o.o.
ul. Lopuzanska 32
02-220 Warsaw
Poland
Phone: +48 22 858 2343
medycyna@zeiss.pl

Singapore

Carl Zeiss Ptd. Ltd.
50 Kaki Bukit Place
Singapore 415926
Singapore
Phone: +65 6741 9600
info@zeiss.com.sg

South Africa

Carl Zeiss (Pty.) Ltd.
363 Oak Avenue
Ferndale
Randburg 2194
South Africa
Phone: +27 11 886 9510
info@zeiss.co.za

South Korea

Carl Zeiss Co. Ltd.
Seoul 121-828
Mapo-gu
141-1, Sangsu-dong
2F, BR Elitel Bldg.
South Korea
Phone: +82 2 3140 2600
korea@zeiss.co.kr

Spain

Carl Zeiss Meditec Iberia S.A.U.
Ronda de Poniente, 15
Tres Cantos
28760 Madrid
Spain
Phone: +34 91 203 37 00
info@zeiss.es

Sweden

Carl Zeiss AB
Tegeluddsvaegen 76
10254 Stockholm
Sweden
Phone: +46 84 59 25 00
info@zeiss.se

Switzerland

Carl Zeiss AG
Feldbachstrasse 81
8714 Feldbach
Switzerland
Phone: +41 55 254 72 00
med@zeiss.ch

Thailand

Carl Zeiss Thailand
90 CyberWorld Tower A,
36th Floor, Unit A 3601
230 Ratchadapisek Road
Huaykhwang, Bangkok 10310
Thailand
Phone: +66 2 248 8787
thailand@zeiss.com.sg

United Kingdom

Carl Zeiss Ltd.
509 Coldhams lane
Cambridge
CAMBS
CB1 3JS,
United Kingdom
Phone: +44 1707 871200
info@zeiss.co.uk

United States of America

Carl Zeiss Meditec, Inc.
5160 Hacienda Drive
Dublin, CA 94568
USA
Phone: +1 925 557 4100
info@meditec.zeiss.com



Carl Zeiss Meditec AG

Goeschwitzer Strasse 51–52

07745 Jena

Germany

www.meditec.zeiss.com

www.meditec.zeiss.com/contacts

EN_30_010_01061 SUR.4512 Printed in Germany CZ-I/2013 Pto
OPMI Lumera, Inverttube, MEDIALINK, RESIGHT, FlexioStill and MedLive are either registered trademarks or trademarks of Carl Zeiss.
The contents of the brochure may differ from the current status of approval of the product in your country. Please contact our regional representative for more information.
Subject to change in design and scope of delivery and as a result of ongoing technical development. Printed on elemental chlorine-free bleached paper.
© 2013 by Carl Zeiss Meditec AG. All copyrights reserved.